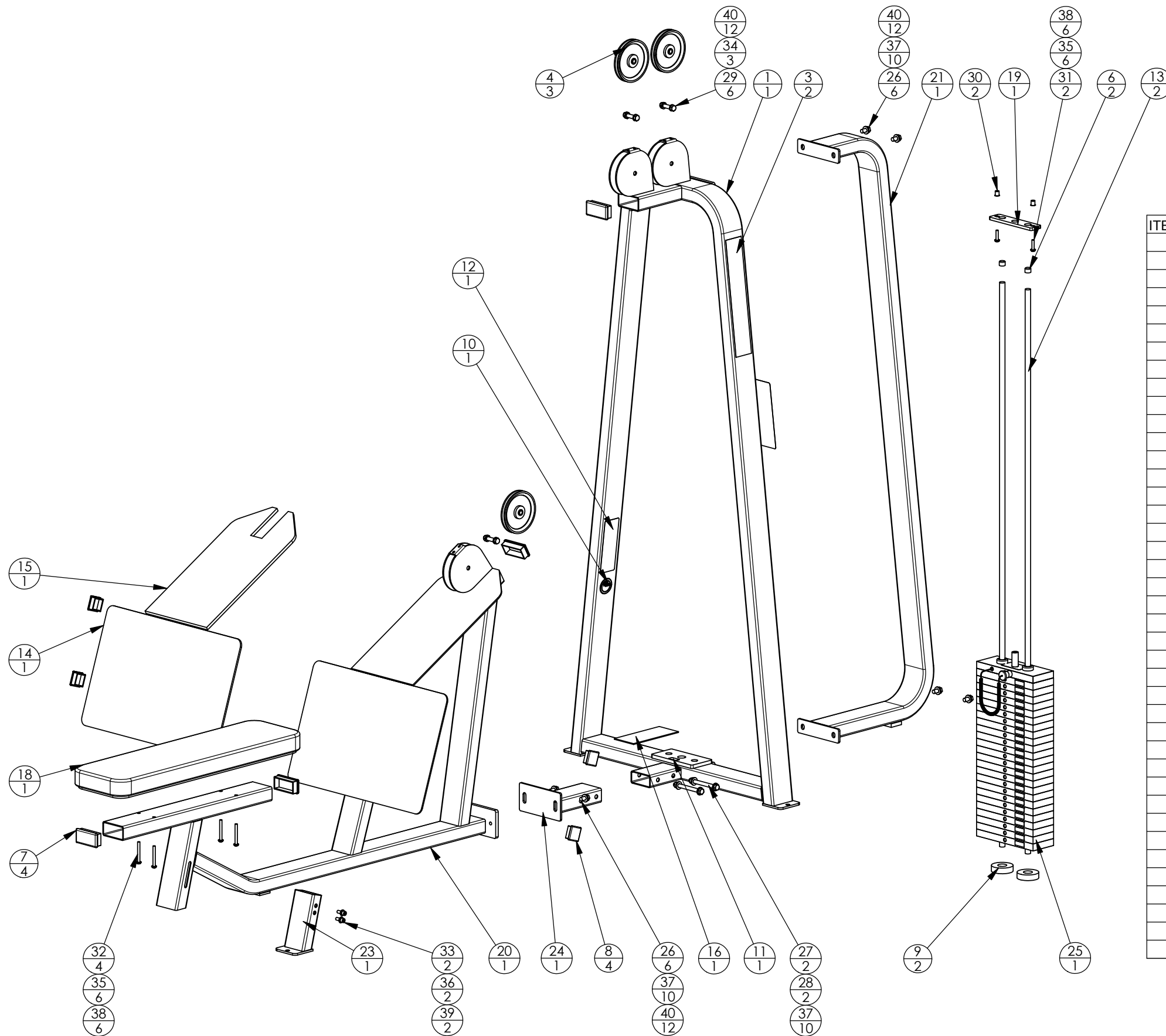


REVISIONS				
REV	ECN #	DESCRIPTION	REV. BY/DATE	APR. BY
A	-----	REDRAWN & UPDATED IN SOLIDWORKS	RJB 04/00	



ITEM NO.	QTY.	PART NO.	DESCRIPTION
1	1	212-302-SA-1	212/302 MAIN FRAME ASSY.
2	1	AC0302B	LABEL, INSTRUCTION, "LONGPULL 302"
3	2	AC1002	LABEL, "ICARIAN", 3 1/2 x 21 1/2
4	3	AC1010	PULLEY, 6" DIA x 1/2" ID
5	1	AC1036	CARBINE HOOK
6	2	AC1040	CAP, GUIDE ROD, DIA. 3/4
7	4	AC1057	CAP, BLACK PLASTIC, 2 x 4
8	4	AC1058	CAP, BLACK PLASTIC, 2 x 2
9	2	AC1148	WEIGHT STACK BUMPER
10	1	AC1161	LABEL, ROUND, "MADE IN USA"
11	1	AC1164	LABEL, F.P.I. SERIAL NUMBER
12	1	AC1183	LABEL, "WARNING, SERIOUS INJURY..."
13	2	CH1218	STEEL BAR RND, DIA. 3/4" x (80 3/4), #8
14	1	CP1020	CUT PIECE, CREPE, 1/4 x 17 x 26
15	1	CP1021	CUT PIECE, CREPE, 7/16 x 12 x 23 13/16, NOTCHED
16	1	CP1125	ABS BLACK, 1/8 x 3 3/4 x 8 3/4
17	1	GJ-302S-136-000	CABLE ASSY, GJ-302S-136-000
18	1	PD1102	PAD, 9 x 36, 4 HOLES
19	1	PF1016	STEEL BAR FLAT CR/HR, 3/8 x 2 x (8 1/4)
20	1	SA1042	LONGPULL SEAT ASSY
21	1	SA1078-1	FLANGED 'C' FRAME ASSY, W/O BRACKETS
22	1	SA1086	NARROW GRIP ROW HANDLE
23	1	SA1117	ADJ. LEVELING FOOT ASSY (15 DEG)
24	1	SA1599	LONG PULL ADAPTER BKT, 9 3/4" ASSY
25	1	WS2500	WEIGHT STACK, 25 PLATE, 250 LBS.
26	6	FA1011	BOLT, HEX HEAD, BLK, 1/2-13 x 1
27	2	FA1020	BOLT, HEX HEAD, BLK, 1/2-13 x 5
28	2	FA1030	NUT, HEX, NYLOCK, 1/2-13
29	6	FA1035	NUT, HEX, ACORN, 1/2-13
30	2	FA1055	NUT, INSERT, 5/16-18
31	2	FA1072	BOLT, BUTTON HEAD, 5/16-18 x 1 1/2
32	4	FA1074	BOLT, BUTTON HEAD, 5/16-18 x 3
33	2	FA1078	BOLT, SOCKET HEAD, 3/8-16 x 1
34	3	FA1101	STUD, 1/2-13 x 2 1/2
35	6	FA1106	WASHER, FLAT, 5/16 ID x 11/16 OD
36	2	FA1107	WASHER, FLAT, 3/8 ID x 13/16 OD
37	10	FA1109	WASHER, FLAT, 1/2 ID x 1 1/16 OD
38	6	FA1116	WASHER, SPLIT, 5/16 ID
39	2	FA1117	WASHER, SPLIT, 3/8 ID
40	12	FA1119	WASHER, SPLIT, 1/2 ID

WEIGHT: 590 lbs.

UNLESS OTHERWISE SPECIFIED  
DIMENSIONS ARE IN INCHES

TOLERANCES ARE:

FRACTIONS	DECIMALS	ANGLES
± 1/32	.XX ± .01	± 1°
	.XXX ± .005	

THIRD ANGLE PROJECTION

DO NOT SCALE DRAWING

**FITNESS PRODUCTS INTERNATIONAL**  
ICARIAN FLITE ABENCH JADE STRETCH CENTER  
12660 BRANFORD ST. SUN VALLEY, CA. 91352

APPROVALS	DATE	TITLE
DESIGNED BY JCV	11/99	LONGPULL SINGLE
MODELED BY JCV	11/99	
DRAWN BY RJB	04/00	
APPROVED BY		

SCALE: 1:15  
SHEET: 1 OF 2  
REV: A

SIZE: B DWG NO. 302-EXP

**302 Longpull Single**

<b>Part Number</b>	<b>Description</b>	<b>Bubble Number</b>
CW31867-311	WELDMENT, CONNECTION, 9 3/4, W/1 FL	3.11
CW31863-311	WELDMENT, SEAT, LONG PULL, STONE HG	14.11
CWTAYN031-300	SCREW, BUTTON HEAD, BLK XYLAN,5/16	17
CWWBKN031-007	WASHER, FLAT, TYPE A, SAE, 5/16 ID	18
CWWALYN031-008	WASHER, SPLIT, 5/16 ID, BL	20
CWTAYN031-300	SCREW, BUTTON HEAD, BLK XYLAN,5/16	21
CWWBKN031-007	WASHER, FLAT, TYPE A, SAE, 5/16 ID	24
CWWALYN031-008	WASHER, SPLIT, 5/16 ID, BL	27
CWHCYN050-350	SCREW, HEX HEAD, BLK XYLAN, 1/2-13	29
CWCAYN038-100	SCREW, SOCKET HEAD, BLK XYLAN, 3/	31
CWHCYN050-500	SCREW, HEX HEAD, BLK XYLAN, 1/2-13	32
CWWBKN038-007	WASHER, FLAT, TYPE A, SAE, 3/8 ID	33
CWHCYN050-100	SCREW,HEX HEAD,BLK XYLAN,1/2-13 X 1	36
CWWALYN038-009	WASHER, SPLIT, 3/8 ID, BLK XYLAN	37
CWWBKN050-010	WASHER, FLAT, TYPE A, SAE, 1/2 ID X	37
CWHCYN050-100	SCREW,HEX HEAD,BLK XYLAN,1/2-13 X 1	39
CWKDYN050-059	LOCKNUT, NYLON INSERT, FULL, UNC, 1	41
CWKADLN050-081	NUT, ACORN, 1/2-13	42
CWBFNN050-250	STUD, 1/2-13 X 2 1/2	46
CWKADLN050-081	NUT, ACORN, 1/2-13	47
CWWBKN050-010	WASHER, FLAT, TYPE A, SAE, 1/2 ID X	48
CWWALYN050-013	WASHER, SPLIT, 1/2 ID, BLK XYLAN	49
CWWALYN050-013	WASHER, SPLIT, 1/2 ID, BLK XYLAN	50
CWBFNN050-250	STUD, 1/2-13 X 2 1/2	51
CW30245-731	WELDMENT, ADJ. LEVELING FOOT,BLK ZI	52
CW31891-311	WELDMENT, UPRIGHT, LONG PULL, STONE	55.11
CW31595-731	HANDLE, NARROW GRIP ROW, BLACK ZINC	129
CW31597-731	HANDLE, WIDE GRIP ROW, BLACK ZINC	130
CWAC4020-101	ACCESSORY, HANDLE , DOUBLE D, SOLID	131
CW10510-721	ASSY, PLATE, WEIGHT, 10 LBS, WRKL B	201
CW10520-721	ASSY, PLATE, WEIGHT, 20 LBS, WRKL B	202
CWAC1133-101	BUSHING, WEIGHT PLATE, LDPE PLASTIC	203
CW30172-751	ASSY, 4.00 IN WEIGHT STACK PIN AND	227
CW30173-751	ASSY, 6.00 IN WEIGHT STACK PIN AND	228
CWLDNN038-200	PIN, ROLL, DIA 3/8 X 2	250
CW30184-901	ASSY,BARREL, TOP PLATE,ALUMINUM	251
CW10550-721	PLATE, WEIGHT, MED TOP (MTP-S), 10	283
CW10550-722	PLATE, WEIGHT, MED TOP (MTP-S), 10	283
CW30133-711	SELECTOR STEM, 25 PLATE,0 .875 DIA,	310
CW30011-101	LABEL,WARNING WEIGHT STACK	311
CW12401-106	LABEL, WEIGHT PLATE, 20 LBS/ 8 KG	319
CW12401-110	LABEL, WEIGHT PLATE, 30 LBS/ 13.6 K	323
CW12401-114	LABEL, WEIGHT PLATE, 40 LBS/ 18.2 K	327
CW12401-118	LABEL, WEIGHT PLATE, 50 LBS/ 22.7 K	331
CW12401-120	LABEL, WEIGHT PLATE, 60 LBS/ 27.3 K	333
CW12401-122	LABEL, WEIGHT PLATE, 70 LBS/ 31.8 K	335
CW12401-124	LABEL, WEIGHT PLATE, 80 LBS/ 36.4 K	337
CW12401-126	LABEL, WEIGHT PLATE, 90 LBS/ 40.9 K	339
CW12401-128	LABEL, WEIGHT PLATE, 100 LBS/ 45.5	341

CW12401-129	LABEL, WEIGHT PLATE, 110 LBS/ 50 KG	342
CW12401-130	LABEL, WEIGHT PLATE, 120 LBS/ 54.6	343
CW12401-131	LABEL, WEIGHT PLATE, 130 LBS/ 59.1	344
CW12401-132	LABEL, WEIGHT PLATE, 140 LBS/ 63.6	345
CW12401-133	LABEL, WEIGHT PLATE, 150 LBS/ 68.2	346
CW12401-134	LABEL, WEIGHT PLATE, 160 LBS/ 72.7	347
CW12401-135	LABEL, WEIGHT PLATE, 170 LBS/ 77.3	348
CW12401-136	LABEL, WEIGHT PLATE, 180 LBS/ 81.8	349
CW12401-137	LABEL, WEIGHT PLATE, 190 LBS/ 86.4	350
CW12401-138	LABEL, WEIGHT PLATE, 200 LBS/ 90.9	351
CW12401-139	LABEL, WEIGHT PLATE, 210 LBS/ 95.5	352
CW12401-140	LABEL, WEIGHT PLATE, 220 LBS/ 100 K	353
CW12401-141	LABEL, WEIGHT PLATE, 230 LBS/ 104.6	354
CW12401-142	LABEL, WEIGHT PLATE, 240 LBS/ 109.1	355
CW12401-143	LABEL, WEIGHT PLATE, 250 LBS/ 113.6	356
CW12401-144	LABEL, WEIGHT PLATE, 260 LBS/ 118.2	357
CW12401-145	LABEL, WEIGHT PLATE, 280 LBS/ 127.3	359
CW12401-146	LABEL, WEIGHT PLATE, 300 LBS/ 136.4	360

**302 Longpull Single**

<b>Part Number</b>	<b>Description</b>	<b>Bubble Number</b>
CW31867-311	WELDMENT, CONNECTION, 9 3/4, W/1 FL	3.11
CW31863-311	WELDMENT, SEAT, LONG PULL, STONE HG	14.11
CWTAYN031-300	SCREW, BUTTON HEAD, BLK XYLAN,5/16	17
CWWBKN031-007	WASHER, FLAT, TYPE A, SAE, 5/16 ID	18
CWWALYN031-008	WASHER, SPLIT, 5/16 ID, BL	20
CWTAYN031-300	SCREW, BUTTON HEAD, BLK XYLAN,5/16	21
CWWBKN031-007	WASHER, FLAT, TYPE A, SAE, 5/16 ID	24
CWWALYN031-008	WASHER, SPLIT, 5/16 ID, BL	27
CWHCYN050-350	SCREW, HEX HEAD, BLK XYLAN, 1/2-13	29
CWCAYN038-100	SCREW, SOCKET HEAD, BLK XYLAN, 3/	31
CWHCYN050-500	SCREW, HEX HEAD, BLK XYLAN, 1/2-13	32
CWWBKN038-007	WASHER, FLAT, TYPE A, SAE, 3/8 ID	33
CWHCYN050-100	SCREW,HEX HEAD,BLK XYLAN,1/2-13 X 1	36
CWWALYN038-009	WASHER, SPLIT, 3/8 ID, BLK XYLAN	37
CWWBKN050-010	WASHER, FLAT, TYPE A, SAE, 1/2 ID X	37
CWHCYN050-100	SCREW,HEX HEAD,BLK XYLAN,1/2-13 X 1	39
CWKDYN050-059	LOCKNUT, NYLON INSERT, FULL, UNC, 1	41
CWKADLN050-081	NUT, ACORN, 1/2-13	42
CWBFNN050-250	STUD, 1/2-13 X 2 1/2	46
CWKADLN050-081	NUT, ACORN, 1/2-13	47
CWWBKN050-010	WASHER, FLAT, TYPE A, SAE, 1/2 ID X	48
CWWALYN050-013	WASHER, SPLIT, 1/2 ID, BLK XYLAN	49
CWWALYN050-013	WASHER, SPLIT, 1/2 ID, BLK XYLAN	50
CWBFNN050-250	STUD, 1/2-13 X 2 1/2	51
CW30245-731	WELDMENT, ADJ. LEVELING FOOT,BLK ZI	52
CW31891-311	WELDMENT, UPRIGHT, LONG PULL, STONE	55.11
CW31595-731	HANDLE, NARROW GRIP ROW, BLACK ZINC	129
CW31597-731	HANDLE, WIDE GRIP ROW, BLACK ZINC	130
CWAC4020-101	ACCESSORY, HANDLE , DOUBLE D, SOLID	131
CW10510-721	ASSY, PLATE, WEIGHT, 10 LBS, WRKL B	201
CW10520-721	ASSY, PLATE, WEIGHT, 20 LBS, WRKL B	202
CWAC1133-101	BUSHING, WEIGHT PLATE, LDPE PLASTIC	203
CW30172-751	ASSY, 4.00 IN WEIGHT STACK PIN AND	227
CW30173-751	ASSY, 6.00 IN WEIGHT STACK PIN AND	228
CWLDNN038-200	PIN, ROLL, DIA 3/8 X 2	250
CW30184-901	ASSY,BARREL, TOP PLATE,ALUMINUM	251
CW10550-721	PLATE, WEIGHT, MED TOP (MTP-S), 10	283
CW10550-722	PLATE, WEIGHT, MED TOP (MTP-S), 10	283
CW30133-711	SELECTOR STEM, 25 PLATE,0 .875 DIA,	310
CW30011-101	LABEL,WARNING WEIGHT STACK	311
CW12401-106	LABEL, WEIGHT PLATE, 20 LBS/ 8 KG	319
CW12401-110	LABEL, WEIGHT PLATE, 30 LBS/ 13.6 K	323
CW12401-114	LABEL, WEIGHT PLATE, 40 LBS/ 18.2 K	327
CW12401-118	LABEL, WEIGHT PLATE, 50 LBS/ 22.7 K	331
CW12401-120	LABEL, WEIGHT PLATE, 60 LBS/ 27.3 K	333
CW12401-122	LABEL, WEIGHT PLATE, 70 LBS/ 31.8 K	335
CW12401-124	LABEL, WEIGHT PLATE, 80 LBS/ 36.4 K	337
CW12401-126	LABEL, WEIGHT PLATE, 90 LBS/ 40.9 K	339
CW12401-128	LABEL, WEIGHT PLATE, 100 LBS/ 45.5	341

CW12401-129	LABEL, WEIGHT PLATE, 110 LBS/ 50 KG	342
CW12401-130	LABEL, WEIGHT PLATE, 120 LBS/ 54.6	343
CW12401-131	LABEL, WEIGHT PLATE, 130 LBS/ 59.1	344
CW12401-132	LABEL, WEIGHT PLATE, 140 LBS/ 63.6	345
CW12401-133	LABEL, WEIGHT PLATE, 150 LBS/ 68.2	346
CW12401-134	LABEL, WEIGHT PLATE, 160 LBS/ 72.7	347
CW12401-135	LABEL, WEIGHT PLATE, 170 LBS/ 77.3	348
CW12401-136	LABEL, WEIGHT PLATE, 180 LBS/ 81.8	349
CW12401-137	LABEL, WEIGHT PLATE, 190 LBS/ 86.4	350
CW12401-138	LABEL, WEIGHT PLATE, 200 LBS/ 90.9	351
CW12401-139	LABEL, WEIGHT PLATE, 210 LBS/ 95.5	352
CW12401-140	LABEL, WEIGHT PLATE, 220 LBS/ 100 K	353
CW12401-141	LABEL, WEIGHT PLATE, 230 LBS/ 104.6	354
CW12401-142	LABEL, WEIGHT PLATE, 240 LBS/ 109.1	355
CW12401-143	LABEL, WEIGHT PLATE, 250 LBS/ 113.6	356
CW12401-144	LABEL, WEIGHT PLATE, 260 LBS/ 118.2	357
CW12401-145	LABEL, WEIGHT PLATE, 280 LBS/ 127.3	359
CW12401-146	LABEL, WEIGHT PLATE, 300 LBS/ 136.4	360